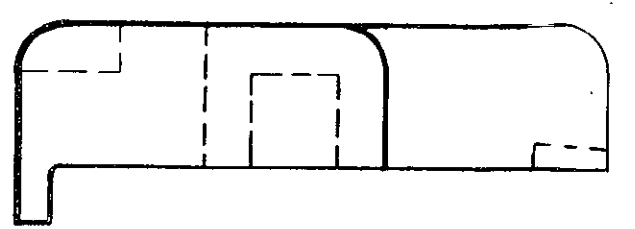
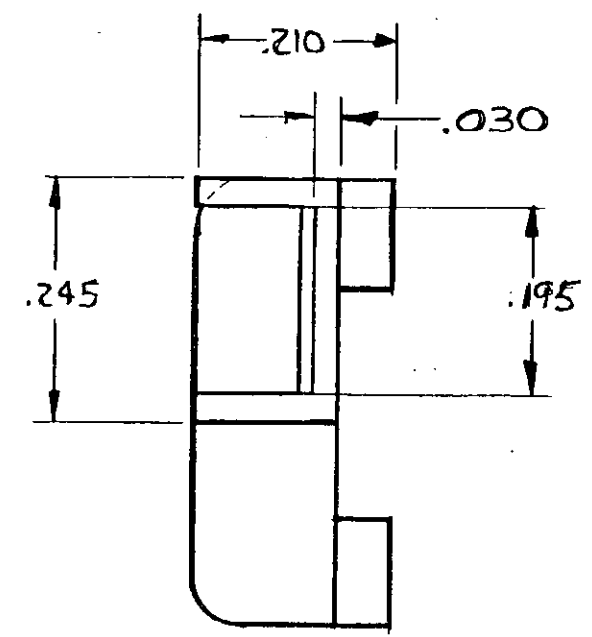
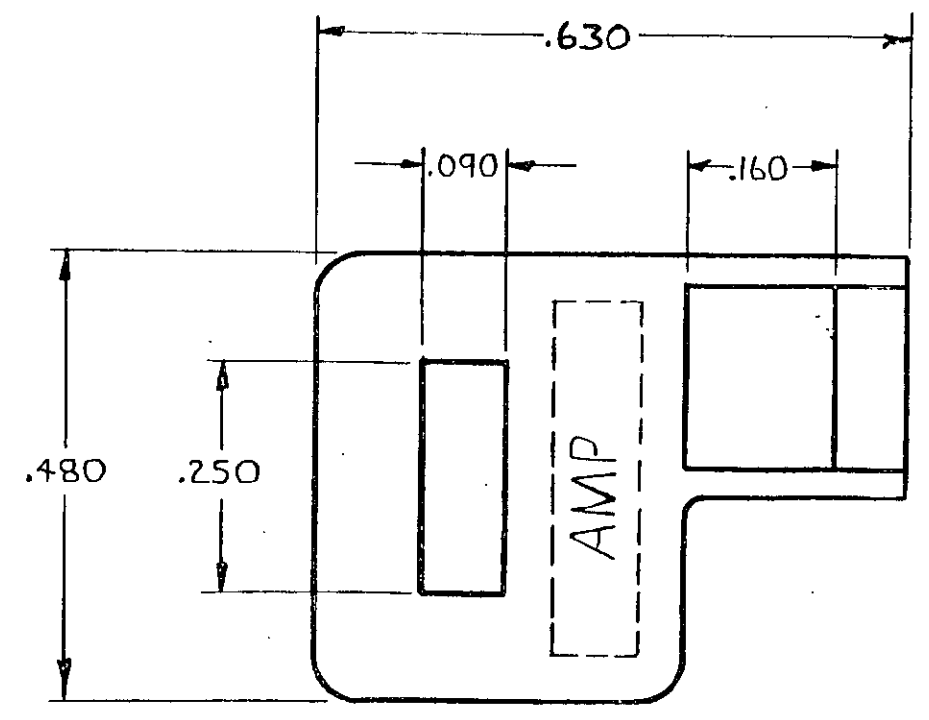
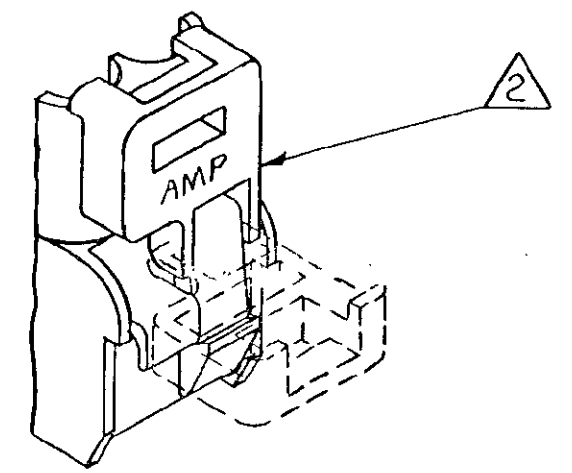


THIS DRAWING IS UNPUBLISHED. RELEASED FOR PUBLICATION . 19
 © COPYRIGHT 19 BY AMP INCORPORATED, HARRISBURG, PA. ALL INTERNATIONAL RIGHTS RESERVED. AMP PRODUCTS MAY BE COVERED BY U.S. AND FOREIGN PATENTS AND/OR PATENTS PENDING.

| REVISIONS | | | | | |
|-----------|---|------|-----|-------------------------|---------------|
| P | F | ZONE | LTR | DESCRIPTION | DATE APPROVED |
| / | - | | D | REV PER EC 0730-0201-94 | 4-26-95 JH RS |
| / | / | | | | |
| / | / | | | | |
| / | / | | | | |



- 1 FOR USE WITH 2 AND 6 CIRCUIT CAP HOUSINGS AND APPROPRIATE ASSEMBLY MODULE.
- 2 ADAPTER ATTACHES TO CAP HOUSING AS SHOWN PROVIDING FEATURE TO ATTACH ASSEMBLY MODULE.



| | | |
|--------------------|-------------|----------|
| BRICK RED OR WHITE | NYLON 94V-0 | 643131-2 |
| NATURAL | NYLON 94V-2 | 643131-1 |
| COLOR | MATERIAL | PART NO |

| | | | | |
|---|---------------------------------|---|--|-----------------------------|
| UNLESS OTHERWISE SPECIFIED DIMENSIONS ARE IN INCHES. TOLERANCES ON: DECIMALS ± .015 ANGLES ± | CONTRACT NO | | AMP AMP INCORPORATED Harrisburg, Pa. 17105 | |
| | DR <i>pl. Fehrer 2-17-82</i> | | | |
| MATERIAL SEE TABLE | CHK <i>J.S. Heide 7-21/82</i> | NAME ADAPTER, ASSEMBLY MODULE, UNIVERSAL MATE-N-LOK (FOR 2 & 6 CIRCUIT CAP HOUSINGS) | | |
| | APPD <i>W. S. Heide 4/24/82</i> | | | |
| COLOR SEE TABLE | DSGN APPD | SIZE C | FSCM NO 00779 | DRAWING NO 643131 |
| | OTHER APPD | SCALE 5-1 | | SHEET |

643131